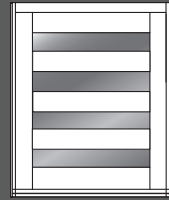


STATESMAN

Aluminium pivot door

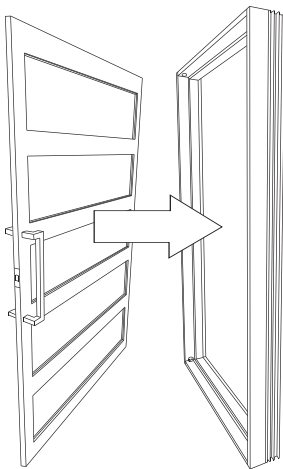


How to assemble the door into the frame

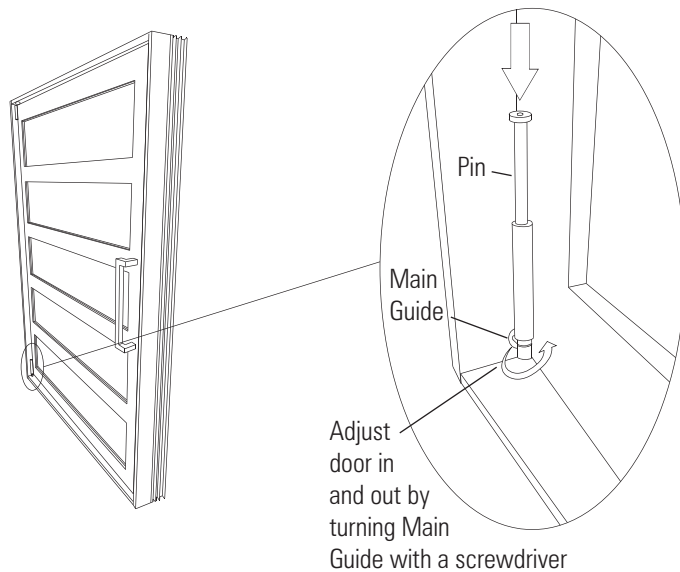
FI255 - AIRLITE -. Ver-Orig

We recommend a licensed builder assess and prepare the wall opening; ensuring the frame is installed plumb and level with adequate fixings and structural support. The installation of the frame and doors requires two people - tradespersons or someone with advanced DIY skills. Airlite Installation Service professional installers are here to help and can provide a quote for installation if required. Call: 1300 804 220

1. Insert Pivot door into frame.



2. Drop the pin into the lower hinge to secure door in place.



3. Assemble the top pin.
Ensure the locking plate is in place.

4. Screw the top pin into place and
adjust door up and down.

5. Screw Locking plate into the
door frame.

